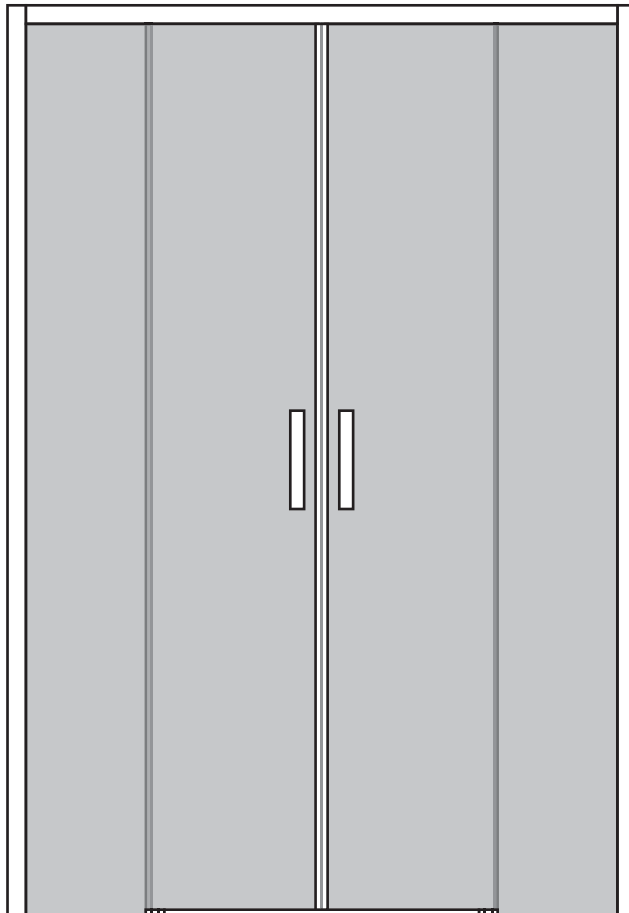


CE
EN14428
CE
EN12150

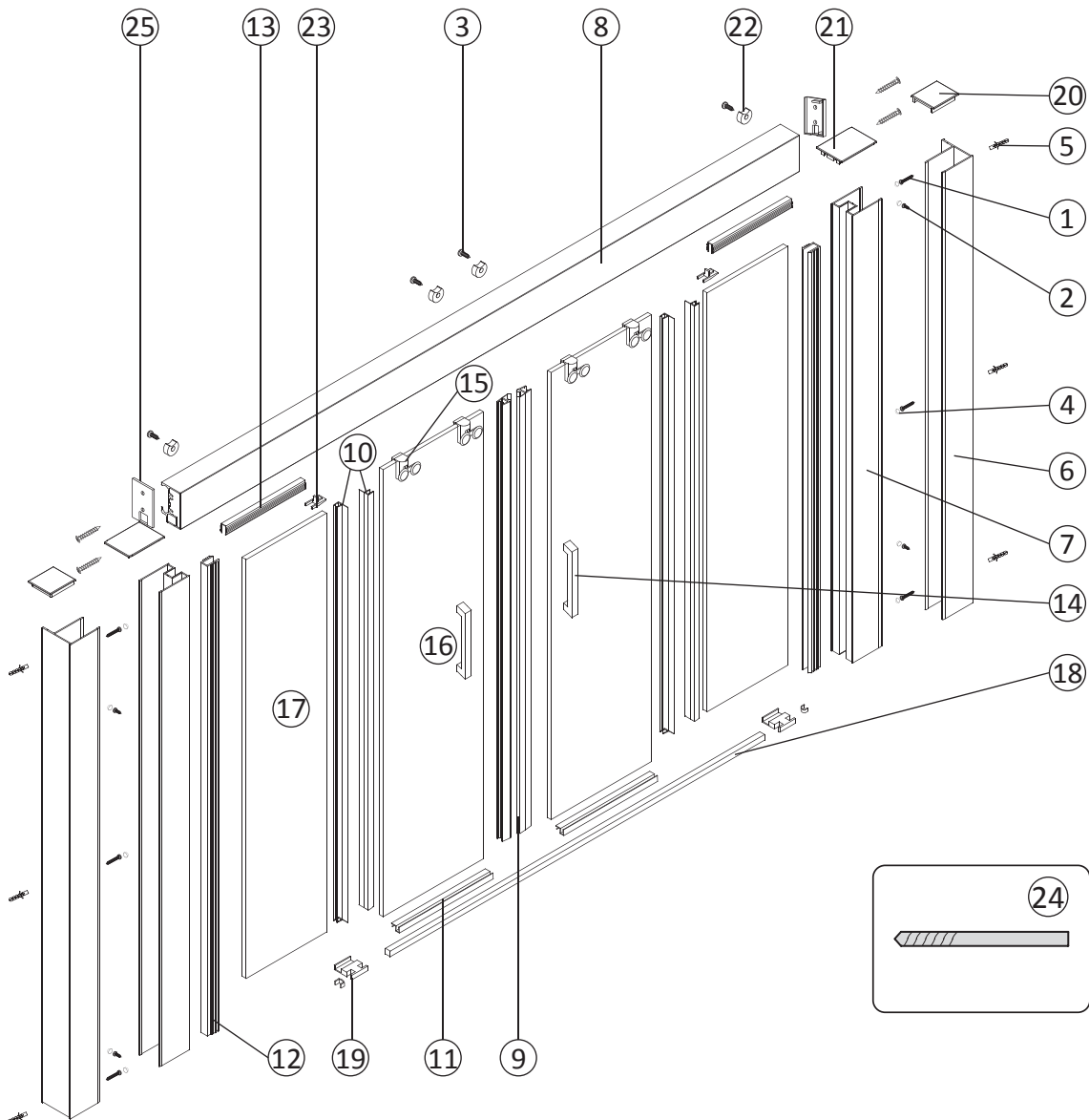
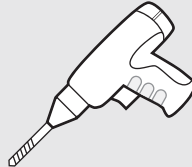
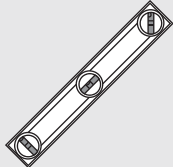
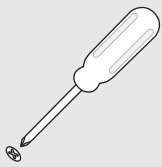
All shower products are designed and manufactured according to EN14428
All the glass used on the the product are certified and tested according to EN12150

Todas las mamparas han sido diseñadas y fabricadas de acuerdo a EN14428
Todos los cristales utilizados en nuestros productos están certificados y probados de acuerdo a EN12150



**FRONTAL
DUCHA
2 FIJO Y
2 PUERTAS
CORREDERA**

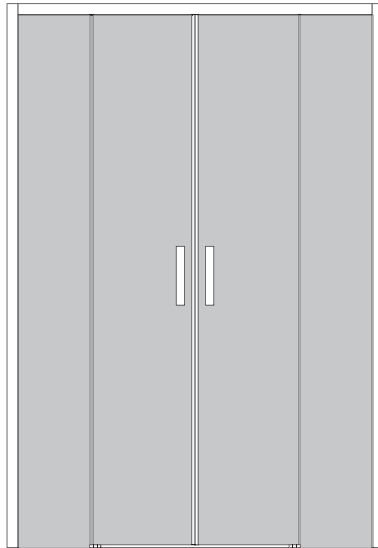
LYON



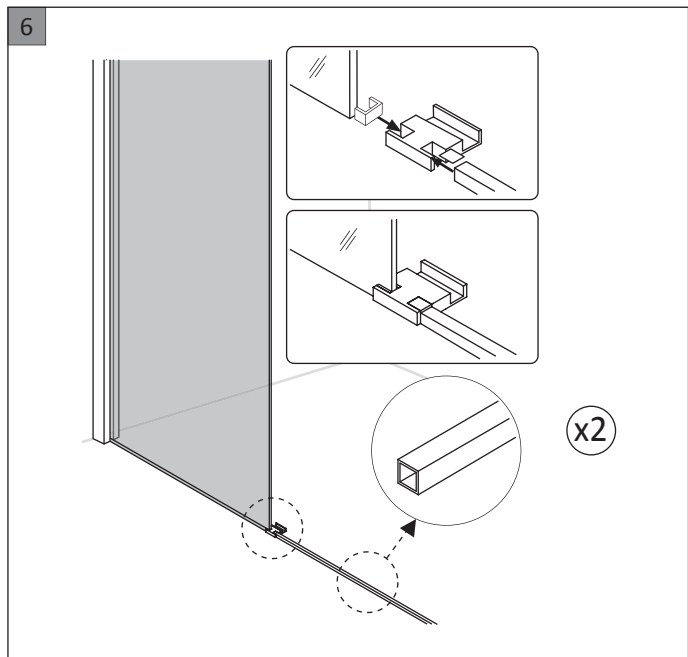
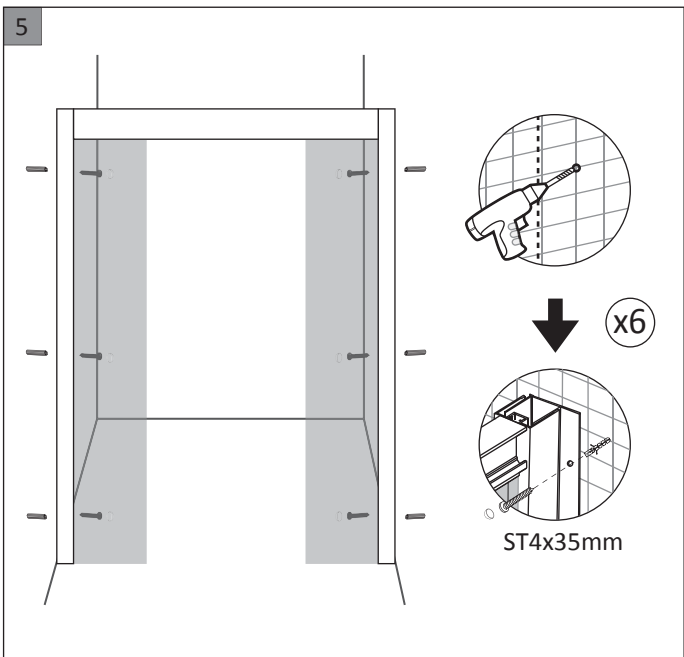
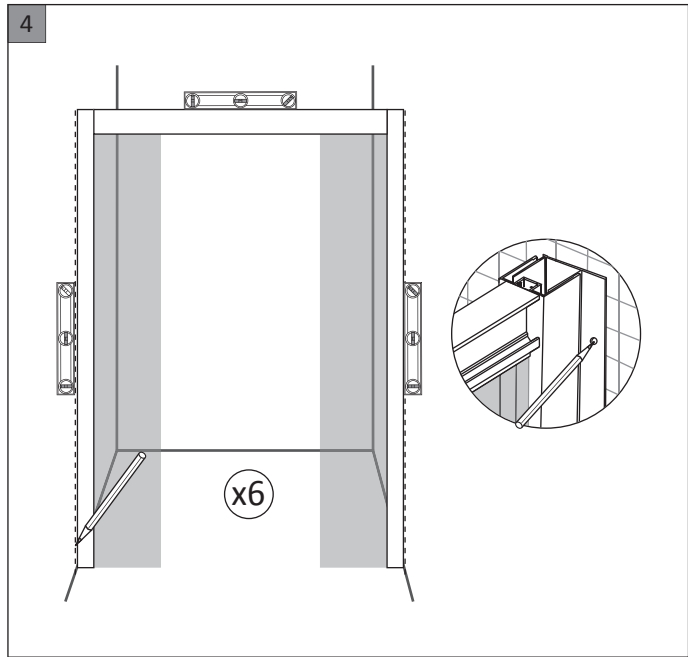
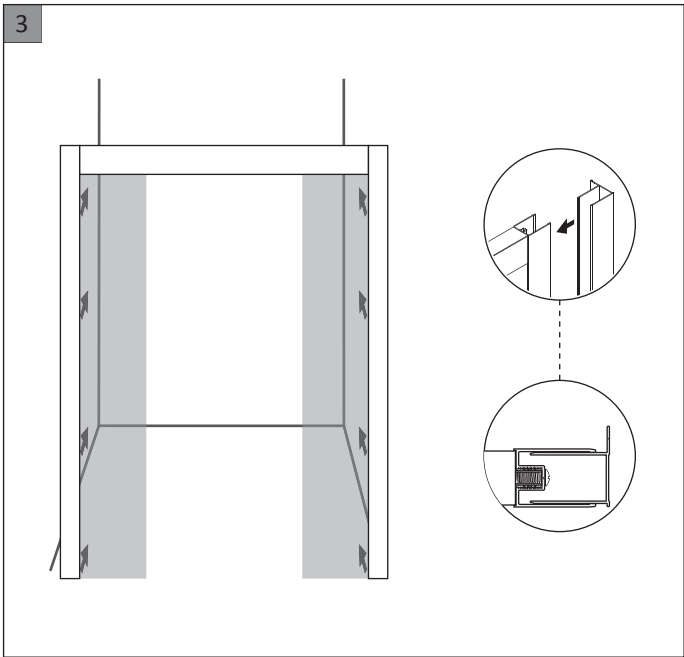
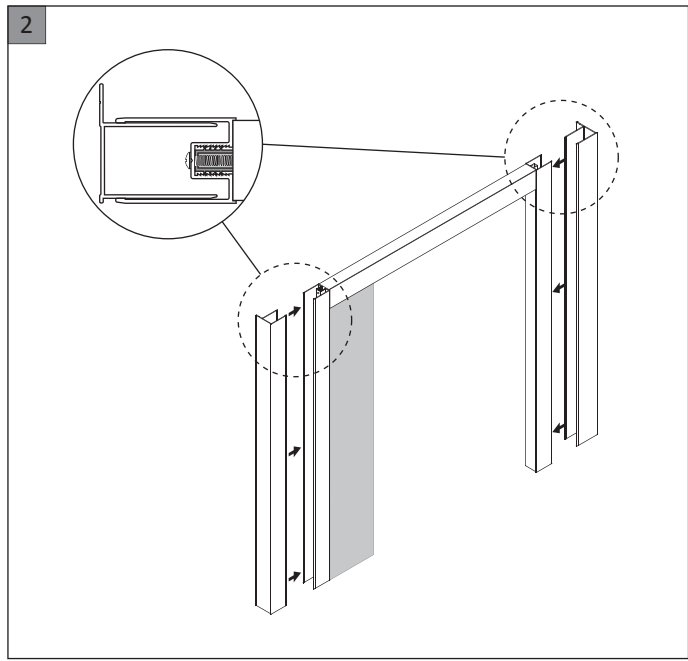
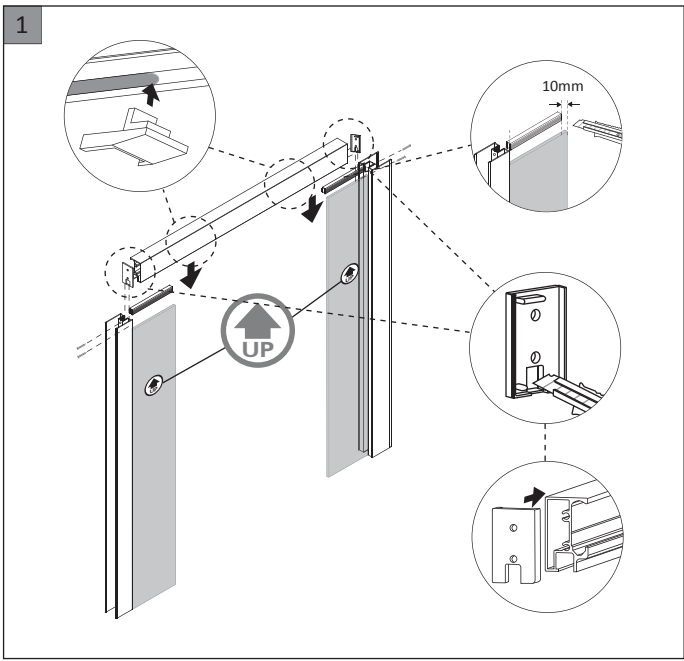
#	Description/Descripción
1	ST4x35mm screw set
2	ST4x10mm screw set
3	ST4x12mm screw set
4	Screw cover
5	Wall plugs
6	Wall profile
7	Fix profile
8	Rail profile
9	Magnetic gasket
10	Water deflector side gasket
11	Water deflector bottom gasket
12	U-Shape gasket for fix profile

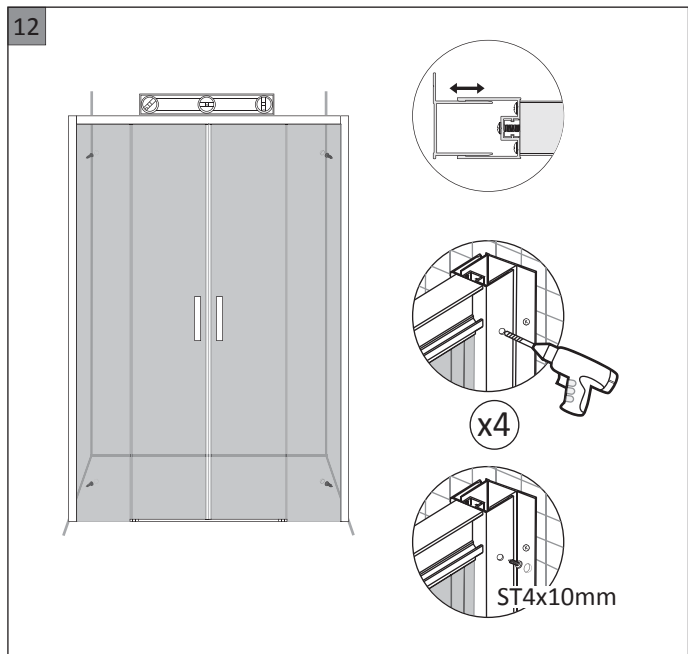
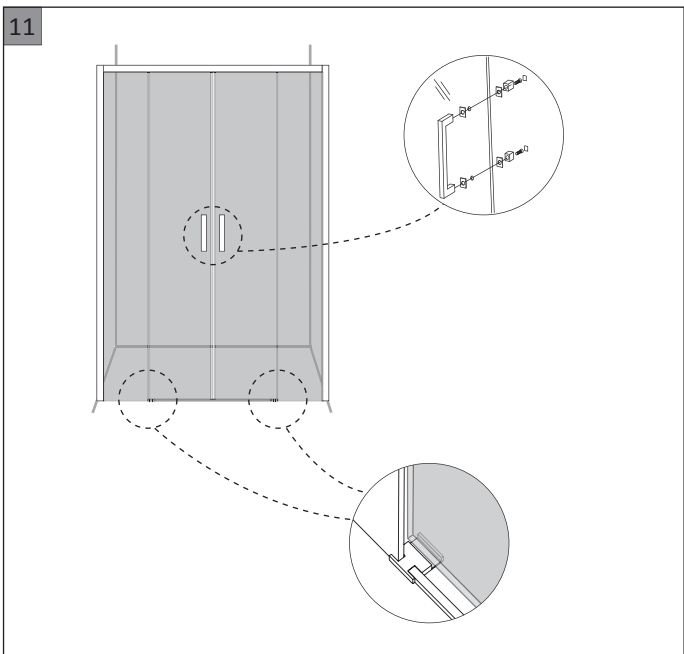
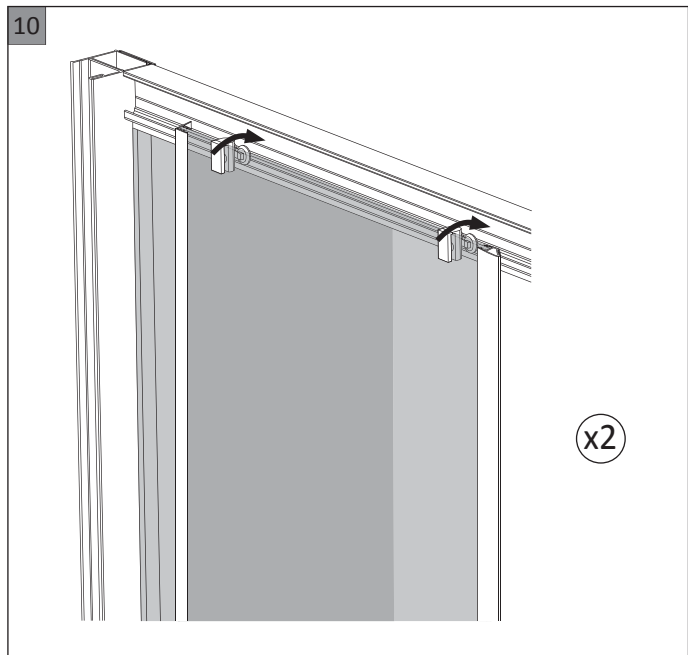
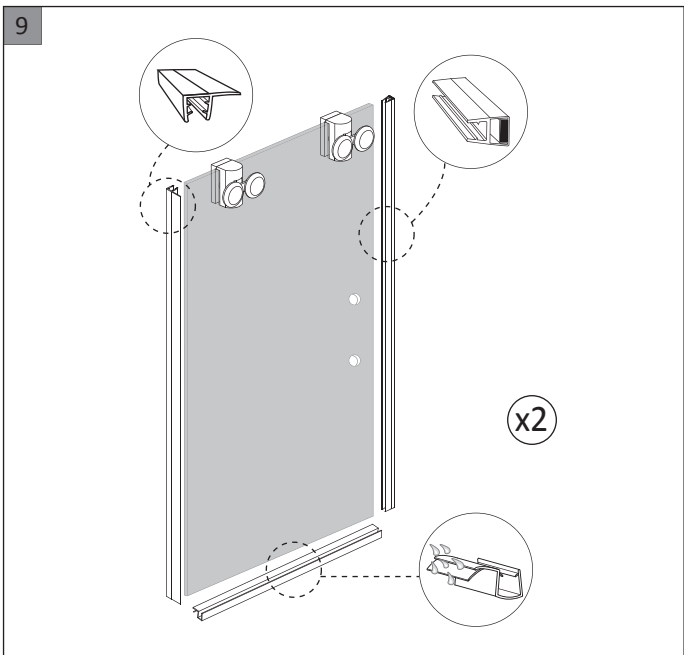
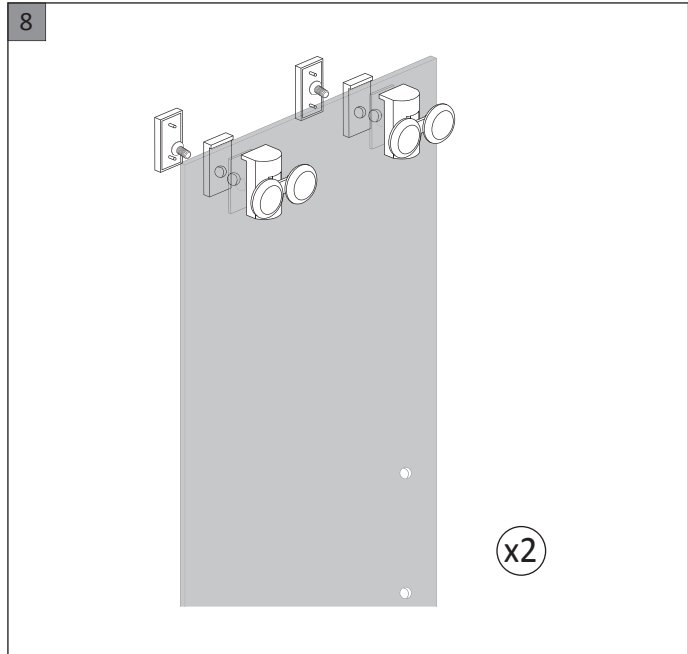
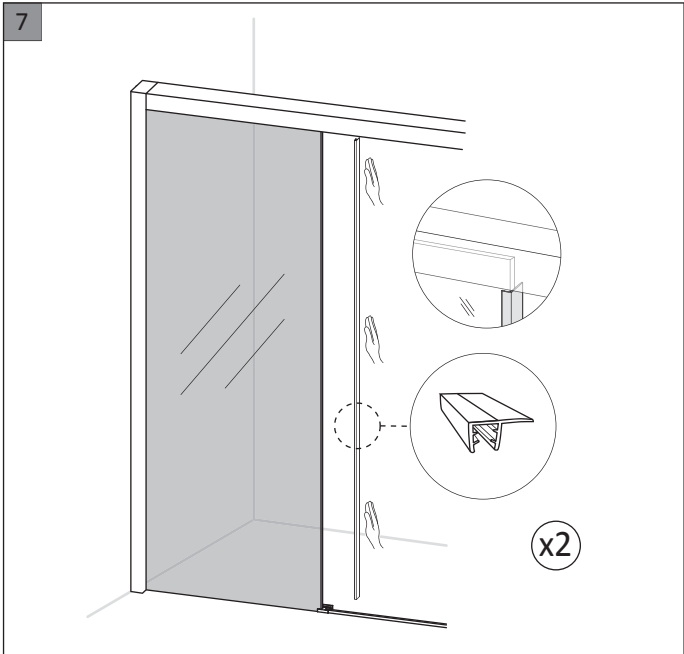
#	Description/Descripción
13	U-Shape gasket for rail profile
14	Handle set
15	Twin- wheel set
16	Sliding door glass
17	Fix panel glass
18	Bottom stainless steel stripe
19	Bottom rail guider
20	Cover for wall profile
21	Cover for fix profile
22	Wheel stoper
23	Decorate cover for rail profile
24	Drill bit
25	Guideway cover

ATENCIÓN

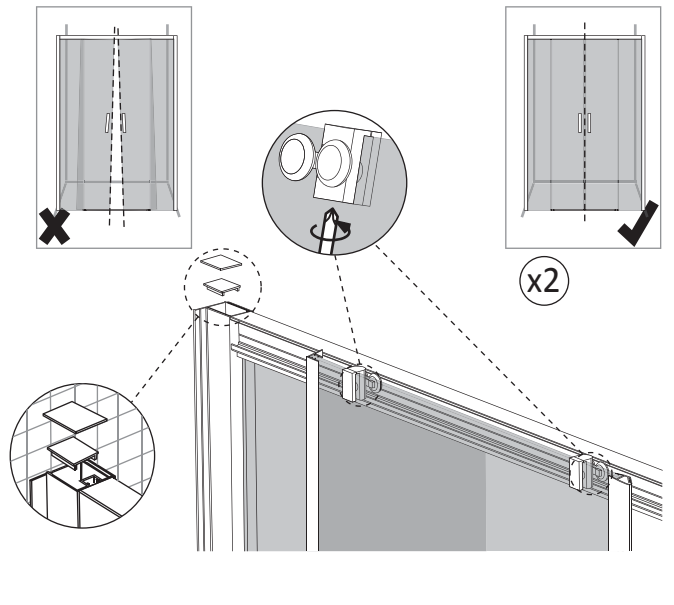


Size	140	150	160	170	180
------	-----	-----	-----	-----	-----

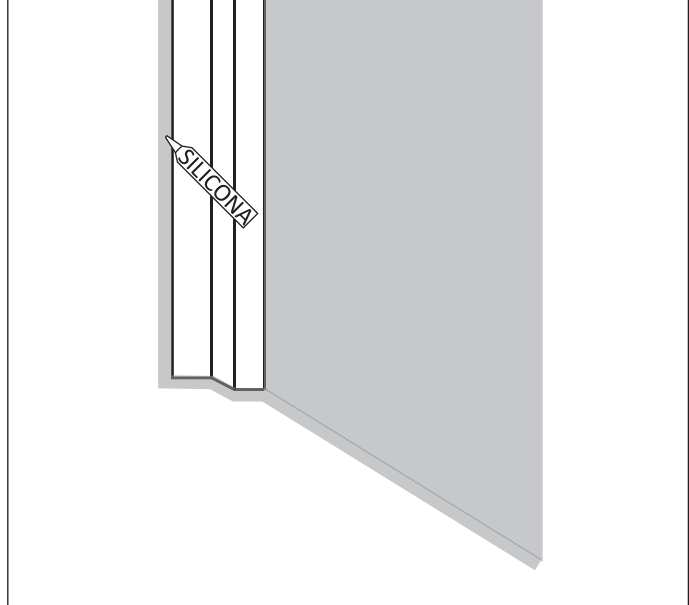




13



14



15

