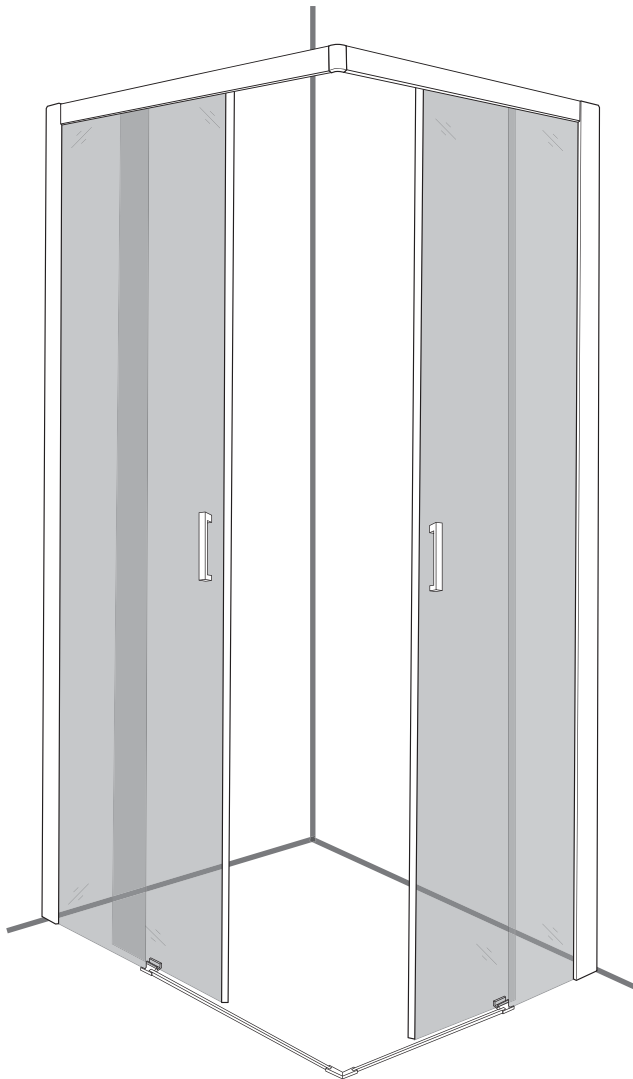


CE
EN14428
CE
EN12150

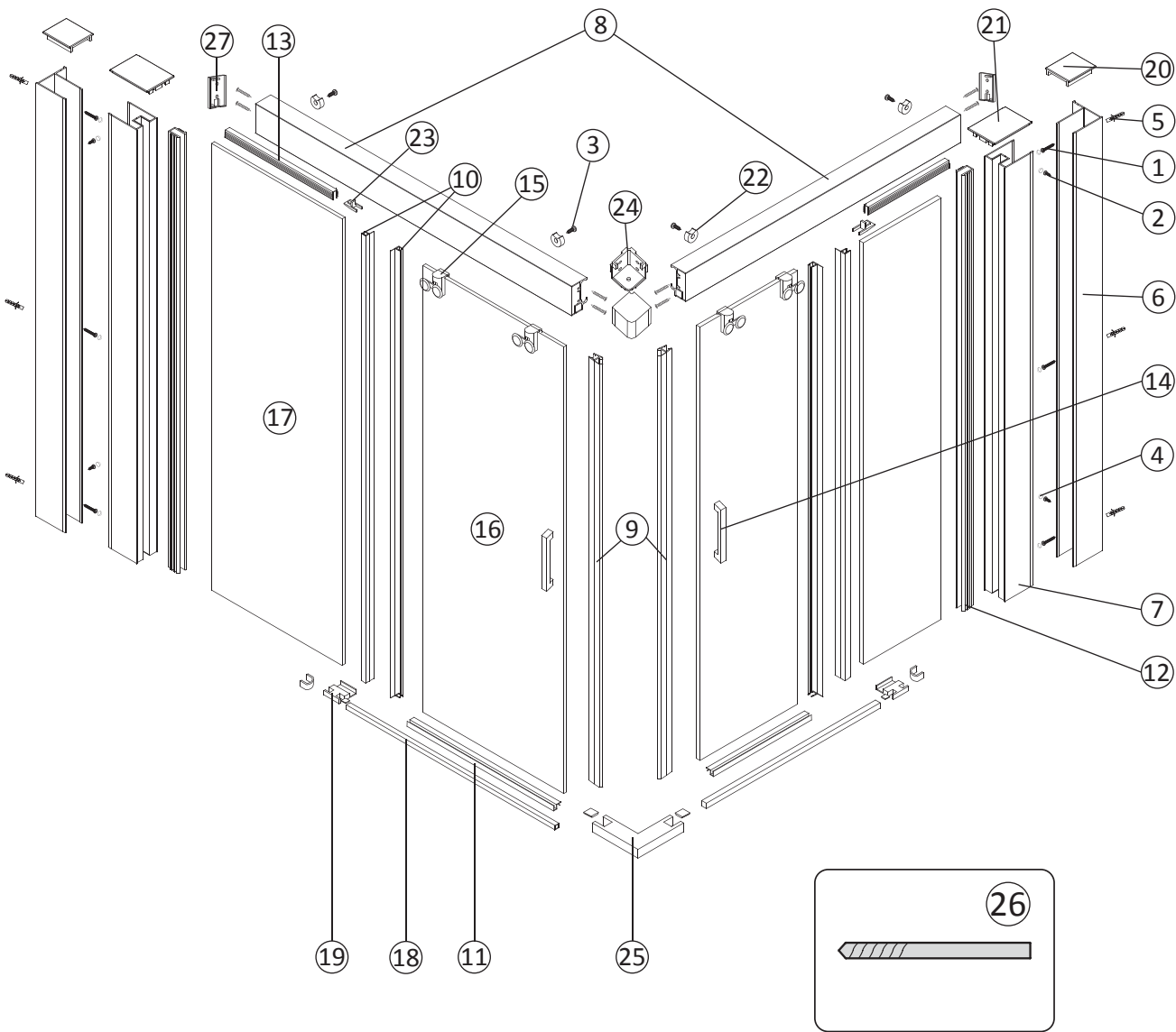
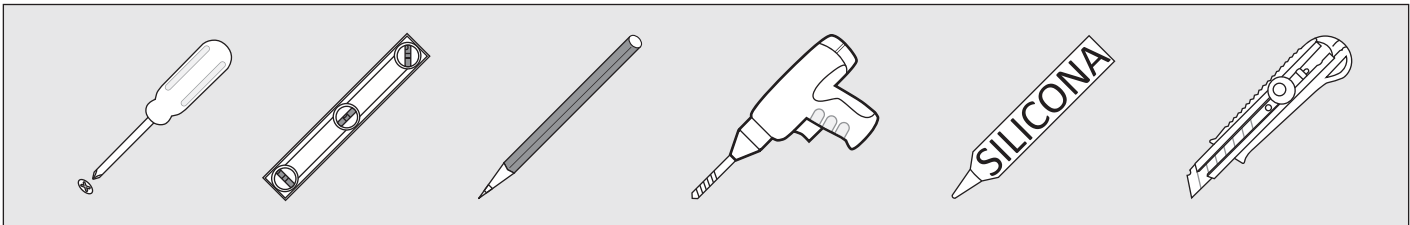
All shower products are designed and manufactured according to EN14428
All the glass used on the the product are certified and tested according to EN12150

Todas las mamparas han sido diseñadas y fabricadas de acuerdo a EN14428
Todos los cristales utilizados en nuestros productos están certificados y probados de acuerdo a EN12150



**ANGULAR
DUCHA
2 FIJO Y
2 PUERTAS
CORREDERA**

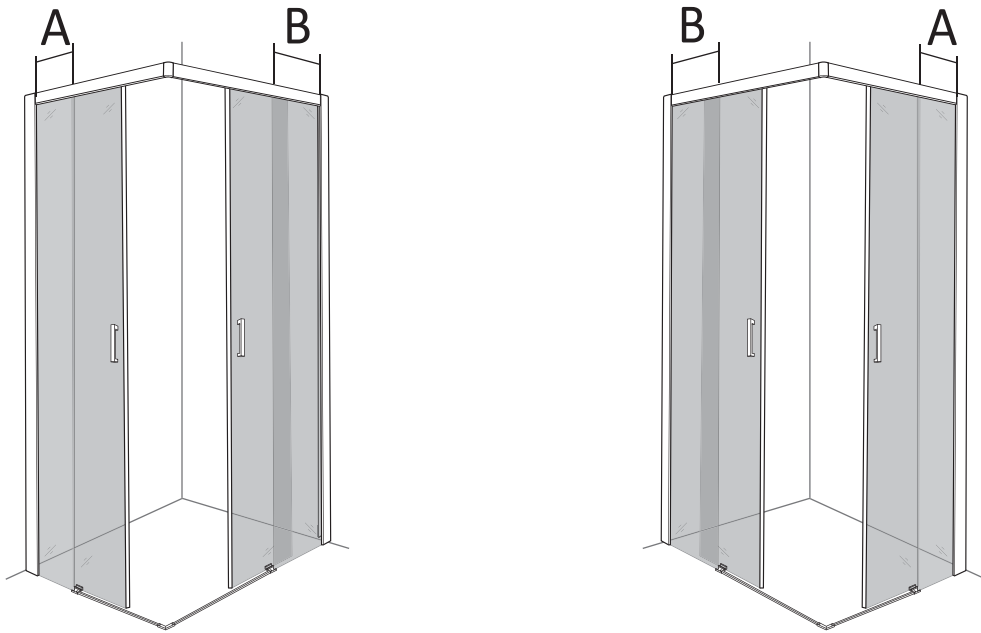
LYON



#	Description/Descripción
1	ST4x35mm screw set
2	ST4x10mm screw set
3	ST4x12mm screw set
4	Screw cover
5	Wall plugs
6	Wall profile
7	Fix profile
8	Rail profile
9	Magnetic gasket
10	Water proof gasket
11	Bottom gasket on door
12	U-Shape gasket for fix profile
13	U-Shape gasket for rail profile

#	Description/Descripción
14	Handle set
15	Twin- wheel set
16	Sliding door glass
17	Fix panel glass
18	Bottom stainless steel stripe
19	Bottom rail guider
20	Cover for wall profile
21	Cover for fix profile
22	Wheel stopper
23	Decorate cover for rail profile
24	Profile Plastic Corner Set
25	Sliding guide set
26	Drill bit
27	Guideway cover

ATENCIÓN



Size		309	310	312
Untying (mm)	A	250	250	250
	B	350	400	500

